

HEW4PER3

WDR 4 MP IR Ball Camera



HD







OPERATIONAL	
VIDEO STANDARD	NTSC/PAL
SCANNING SYSTEM	Progressive scan
IMAGE SENSOR	1/3" 4 MP CMOS
NUMBER OF PIXELS (H × V)	2688 × 1520
MINIMUM ILLUMINATION	0.08 lux color @ F2.0 (Color, 1/3s, 30 IRE), 0 lux B/W with IR LEDs on @ F2.0
S/N RATIO	> 45 dB
ELECTRONIC SHUTTER SPEED	1/3(4) – 1/100,000 s
IR DISTANCE	Up to 82 ft (25 m), depending on scene reflectance
SMART IR	Auto/Manual
DAY/NIGHT	Auto (ICR)/Color/BW
BACKLIGHT COMPENSATION	BLC/HLC/WDR (120 dB)
WHITE BALANCE	Auto/Natural/Street Lamp/Outdoor/Manual
GAIN CONTROL	Auto/Manual
WIDE DYNAMIC RANGE	True WDR (120 dB)
NOISE REDUCTION	3D DNR
PRIVACY MASKING	Up to 4 configurable zones
MOTION DETECTION	Up to 4 configurable zones
REGION OF INTEREST	Up to 4 configurable zones
DIGITAL ZOOM	16x
LENS	2.8 mm, fixed, F2.0
ANGLE OF VIEW	104°/87° (H), 57°/48° (V)
VIDEO	
VIDEO COMPRESSION	H.265+/H.265/H.264+/H.264
RESOLUTION	4 MP (2688×1520), QHD (2560×1440), 3 MP (2304×1296), 1080p (1920×1080), SXGA (1280×1024), 1.3 MP (1280×960), 720p (1280×720), D1 (704×576/704×480), VGA (640×480), CIF (352×288/352×240)
FRAME RATE	4 MP at 1 – 20fps, 3 MP at 1 – 25/30fps D1/CIF at 1 – 25/30fps
BIT RATE CONTROL	CBR/VBR
BIT RATE	H.265: 12K – 8448 Kbps H.264: 32K – 10240 Kbps
NETWORK	
ETHERNET	RJ-45 (10/100BASE-T)
SUPPORTED WEB BROWSERS	Internet Explorer (11.0+)
SUPPORTED OS	Windows 7 32-bit

NETWORK (CONT'D)	
PROTOCOLS	IPv4/v6, TCP/IP, UDP, RTP, RTSP, RTCP, HTTP, HTTPS, SSL, FTP, SMTP, DHCP, PPPoE, UPnP, SNMP v2/v3, Bonjour, DNS, DDNS, IEEE 802.1X, QoS, NTP
INTEROPERABILITY	ONVIF Profile S
MAXIMUM USER ACCESS	20 users
SECURITY	User account and password protection, HTTPS, IP filter, IEEE 802.1X, digest authentication, user access log, TLS1.2, AES-256, SSH/Telnet closed, FTP disabled
EVENT	Network disconnection, IP address conflict, illegal access, video tampering, motion detection
EVENT NOTIFICATION	Record (NAS and FTP), email, snapshot
ELECTRICAL	
POWER SUPPLY	PoE (802.3af) Class 0, 12 VDC
POWER CONSUMPTION	4.68 W max. (IR LEDs on)
MECHANICAL	
DIMENSIONS	3.68" × 3.14" (93.4 mm × 79.7 mm)
PRODUCT WEIGHT	0.51 lb (0.23 kg)
PACKAGE WEIGHT	0.85 lb (0.38 kg)
CONSTRUCTION	Die-cast aluminum housing with powder coat
CONSTRUCTION COLOR	RAL 9003 (White)
ENVIRONMENTAL	
OPERATING TEMPERATURE	–22°F to 131°F (–30°C to 55°C)
STORAGE TEMPERATURE	–22°F to 131°F (–30°C to 55°C)
RELATIVE HUMIDITY	Less than 95%, non-condensing
INGRESS PROTECTION	IP66
REGULATORY	
EMISSIONS	FCC Part 15B, EN 55032
IMMUNITY	EN 50130-4
SAFETY	EU: EN 60950-1 North America UL listed to UL/CSA 60950-1
ROHS	EN 50581

WDR 4 MP IR Ball Camera

RECOMMENDED ACCESSORIES

SYSTEM COMPATIBILITY		MOUNTS AND ACCESSORIES	
HEN*4	8/16/32/64-channel Performance 4K NVRs (H.264/H.265)	HQA-WK2	 Wall Mount
HEN*3	4/8/16-channel Performance 4K NVRs (H.264/H.265)	HQA-PM2**	 Pole Mount Bracket
		HB34S2-CM**	 Corner Mount Bracket
		HQA-BB1	 Junction Box

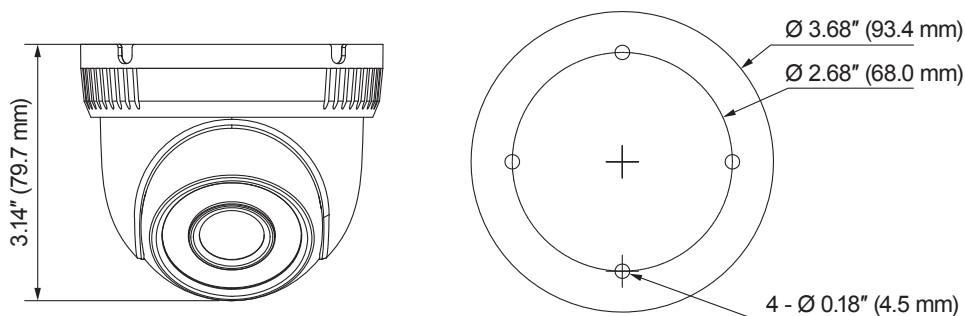
* Pre-installed storage (TB).

** The HQA-BB1 junction box must be used when installing the camera to HQA-PM2 or HB34S2-CM.

ORDERING

HEW4PER3	Network WDR 4 MP IR Ball Camera, 1/3" CMOS, 2.8 mm Fixed, 12 IR LEDs, PoE, H.265+
----------	---

DIMENSIONS



For more information

www.security.honeywell.com

Honeywell Commercial Security

2700 Blankenbaker Pkwy, Suite 150

Louisville, KY 40299

1.800.323.4576

www.honeywell.com

Honeywell reserves the right, without notification, to make changes in product design or specifications.

HSV-HEW4PER3-02-US(0919)DS-Z
© 2018 Honeywell International Inc.

Honeywell