



BOOM BARRIER PRO SERIES

Model No.: CPS -0606



Technical Specification:

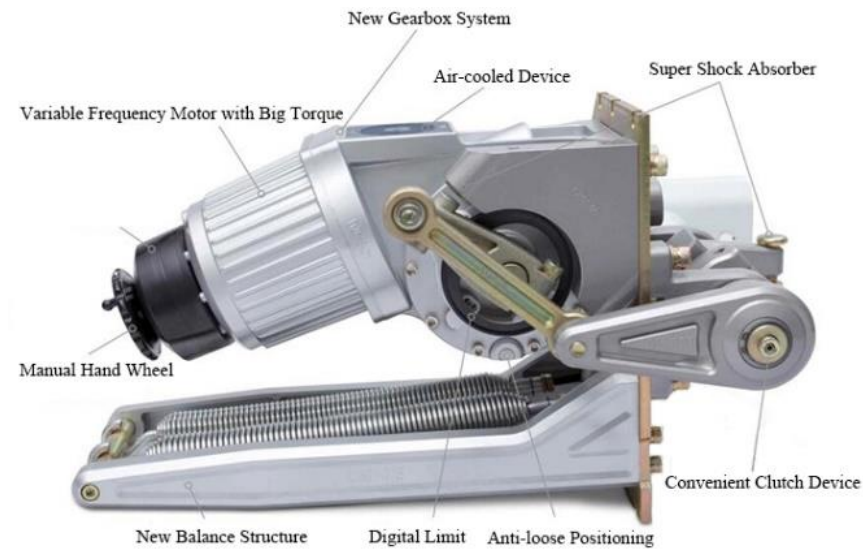
Working Temperature	-40°C~+75°C
Voltage	220V±10%, 110V±10%, 50/60HZ
Rated power	80W
Relative humidity	≤90%
Remote control distance	≥30m
Net weight	60kgs
Arm Speed	1s, 1.8s, 3s, 6s
Max boom length	6 meters

Functions & Features:

<ul style="list-style-type: none">• Advanced manual clutch, Auto-reset when power on
<ul style="list-style-type: none">• Both compression spring and extension spring are suitable for the motor. The compression spring can avoid accidents caused by broken spring due to great force.
<ul style="list-style-type: none">• Reversing on obstacle
<ul style="list-style-type: none">• Infrared Photocells (optional)
<ul style="list-style-type: none">• Support the external and internal Vehicle Loop Detector (optional)
<ul style="list-style-type: none">• Interfaces for opening, closing and pausing
<ul style="list-style-type: none">• RS485 Communication module
<ul style="list-style-type: none">• Traffic light interface
<ul style="list-style-type: none">• Wire control (switch signal) /Remote control 220V MHZ
<ul style="list-style-type: none">• Duty Cycle: Heavy Duty



Commercial Variable Frequency Mechanism:



Advanced Features:

- **Powerful Commercial Variable Frequency Controller**
- **Cabinet adopts electroplating and double-layer painting process**
- **Variable frequency barrier works more smoothly than standard barrier models**
- **Operation life lasts 30% longer than the standard models**

Applications:



Malls



Government



Airport



Expo Centres



Events



Stadium



Metro/Railways

*Due to continuous technology upgradation, design and specification may subject to change without notice.

**The photos & images used here are only for reference purpose, the actual product may vary. All Brand names & trademarks are the property of their respective owners.



TARGET VISION SECURITY SYSTEMS

Regd Office:

11, Upper Ground Floor, New Gupta Colony
Priyadarshini Vihar, Phase -1, Delhi - 110009.
E-Mail: shashank@targetvisionindia.co.in
www.targetvisionindia.co.in

Branch Office: Delhi | Chennai | Mumbai | Kolkata | Noida | Lucknow | Chandigarh | Nagpur | Vadodara | Bengaluru